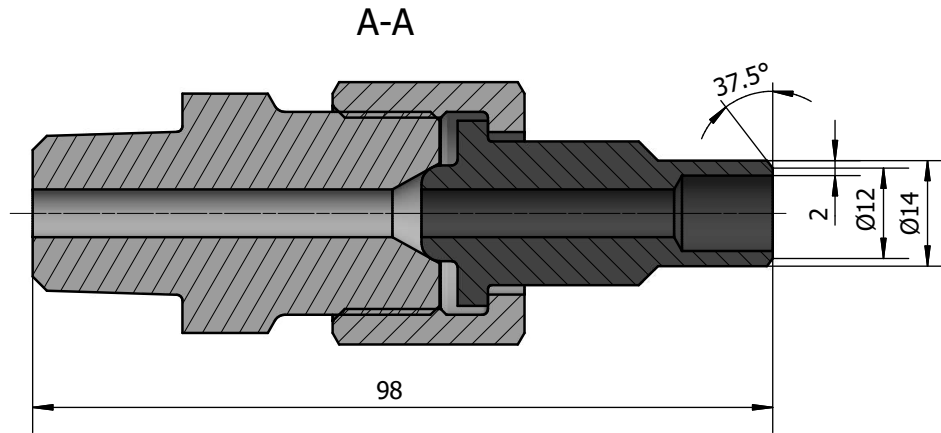
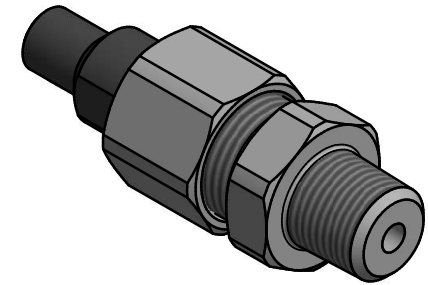
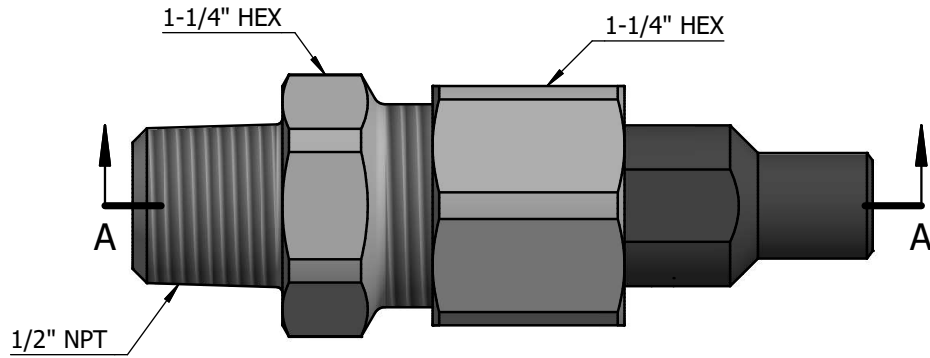


Rev.	ECN NO.	Description	Signature	Date



1/2" MALE NPT THREAD TO Ø14X2mm BUTT WELD
MATERIAL: 316SS

Commercial Drawing

			Material		Part No. C-A7-540-C0		Title SWIVEL ADAPTER	
			Designed/Date LZ025749	Checked/Date KL052749	Reviewed/Date BX395749		Size	Scale