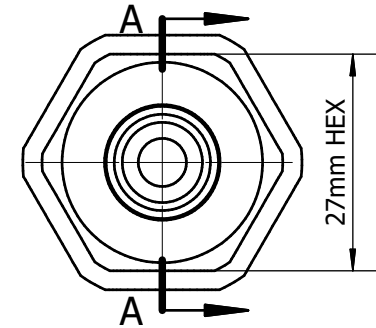
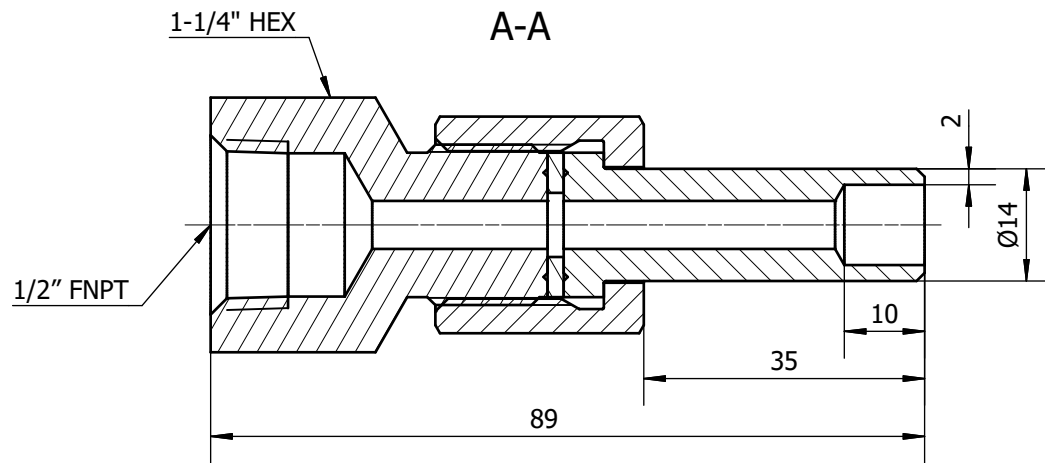


Rev.	ECN NO.	Description	Signature	Date



Commercial Drawing

			Material	Part No. C-N7-016-C0			Title Ø14X2-1/2"NPT(M)			
Designed/Date	Checked/Date	Reviewed/Date		Size	Scale	Weight	Drawing No.		Rev.	A
LZ025749	KL052749	BX395749				KG	C-N7-016-C0		Sheet 1 of 1	